

les SAS personnels

vestiaires / stratifié HPL

staff lockers - HPL

The design of lockers plays a key role in maintaining high standards and good practice in manufacturing procedures. Our modules have specific integrated functionality and are easy to maintain, with ergonomic design, and practical to use, they are the result of working in co-operation with both manufacturers of clean room clothing, and users. The quality is apparent from attention to detail in the design (points of entry and exit are points of confluence, entailing high contamination risks).

clean side



21001 - Washbasin unit
electronic tap fittings /
enamelled basin / siphon trap /
mirror and flush overhead light

clean side



21002 - Waste disposal unit
Flush fitting of a waste bag
support

contaminated side /
clean side



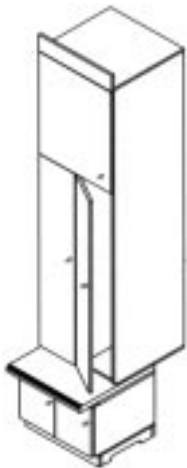
21003 - Shelf unit
21004 - Shelf unit with door

contaminated side /
clean side



21008 - Wardrobe unit
21014 - Wardrobe unit with door

clean side

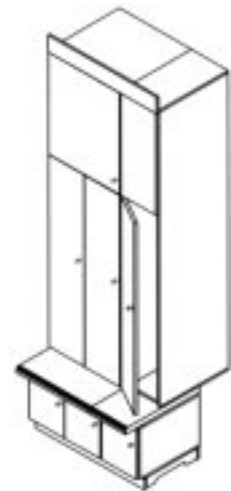


21005 - Double locker unit
/ 2 shoe holders / 2 locker doors
/ Hanging rail / 1 fanlight door
with shelf / post-formed
laminated bench / Recessed
base to enable floor covering to
be finished flush

Our equipment complies with the requirements of GMP/BPF.



clean side



21006 - Triple locker unit
/ 3 shoe holders / 3 locker doors
/ hanging rail / 2 fanlight doors
with shelf / post-formed
laminated bench / Recessed
base to enable floor covering to
be finished flush

Our selection of high pressure laminates complies with the French standard NF T54/324 (homogenous materials with mechanical characteristics recognised ISO R1183,87).



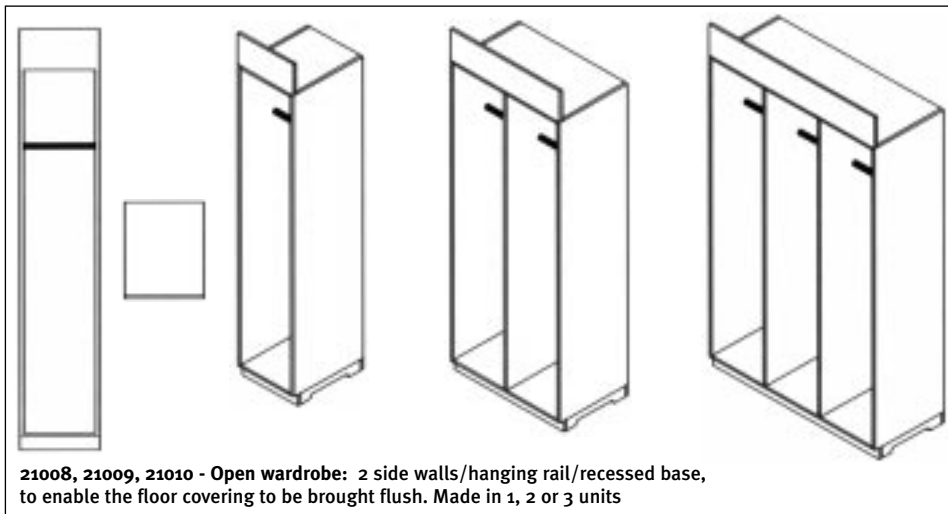
3

LSB®

SAS personnels

dessins techniques

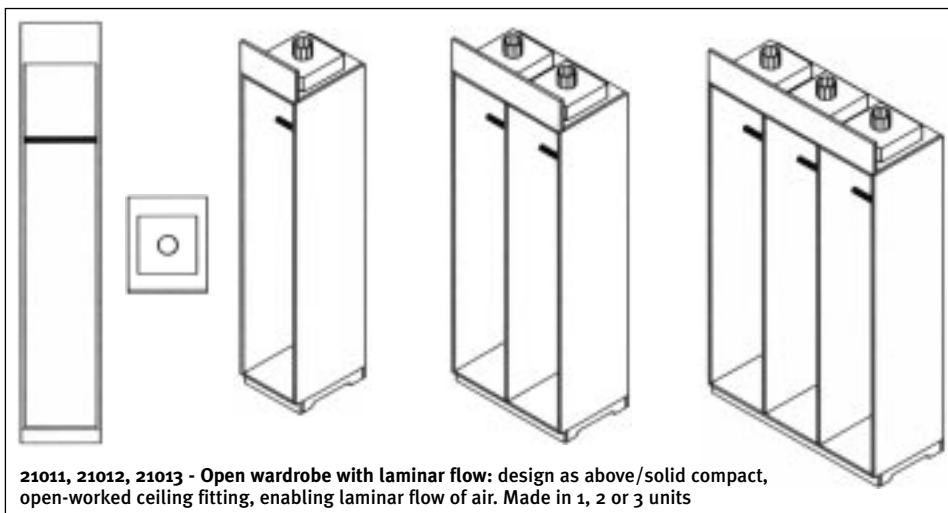
staff lockers - technical drawings



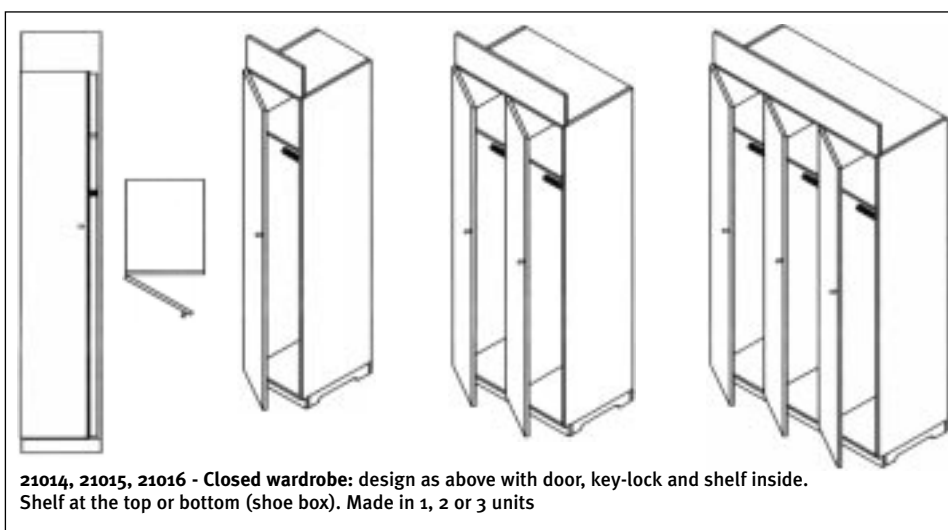
21017, 21018 - Fixed bench,
straight post-formed



21019, 21020 - Shoe bench,
straight post-formed,
the lower part is equipped
with a set of pigeon-holes



21021, 21022 - Hinged bench,
straight post-formed,
for free passageway



21023 - Bulkhead closure

RN 100, 84400 Apt, France
Tél. 33/0 4 90 04 71 41, Fax 33/0 4 90 04 74 47
E-mail lsb-apt@avignon.pacwan.net, web <http://www.lasalleblanche.com>
RC Avignon 326 676 681 83 B 73 - Code APE 361 G



3'